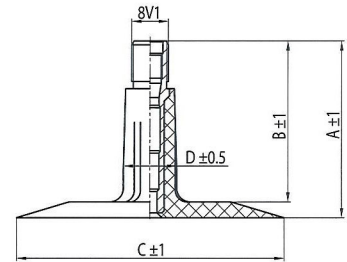


» FLAPS / VALVES

	CODE	SIZE		WIDTH (mm)	QUANTITY PER BOX
20	OCH020	13.00/14.00-20 (G-20)		250±10 mm	5
21	OCH025	16.00-20 (H-20)		300±10 mm	5
22	OCH028	16/70-20 (I-20)		340±10 mm	4
23	OCH047	11.00/12.00-24		220±10 mm	8
24	OCH048	13.00/14.00-24		260±10 mm	5
25	OCH057	17.5/18-25	NEW	380±10 mm	3
26	OCH055	20.5-25	NEW	460±10 mm	2
27	OCH049	23.5-25		495±10 mm	2
28	OCH036	26.5-25		570±10 mm	1
29	AKC021	Rubber sealing ring - wedge Tyran 20"			50
30	AKC073	Oring 25"x6,6			200
31	AKC074	Oring 25"x10			100

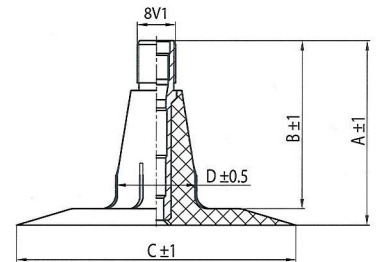
VALVES

TR-13



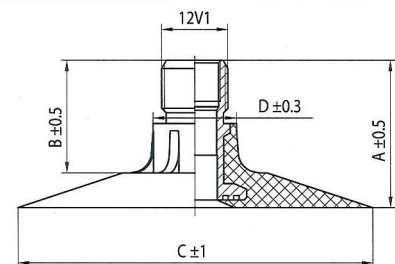
Valve no.	A (mm)	B (mm)	C dia (mm)	D dia (mm)
TR-13	37	33.5	56	11.2

TR-15



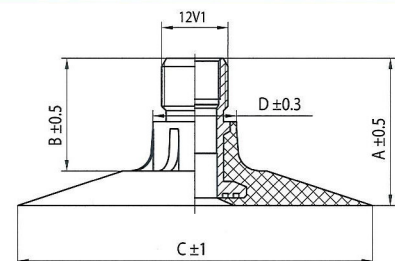
Valve no.	A (mm)	B (mm)	C dia (mm)	D dia (mm)
TR-15	37	33.5	56	16.2

TR-218

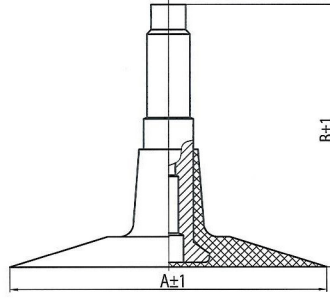


Valve no.	A (mm)	B (mm)	C dia (mm)	D dia (mm)
TR-218A	27	20.65	64	15.9

TR-220

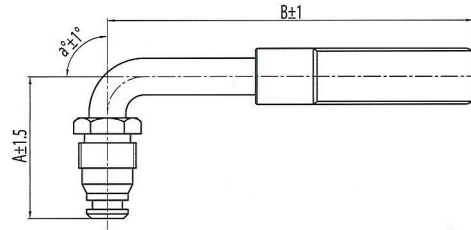


Valve no.	A (mm)	B (mm)	C dia (mm)	D dia (mm)
TR-220A	36	29.65	64	15.9



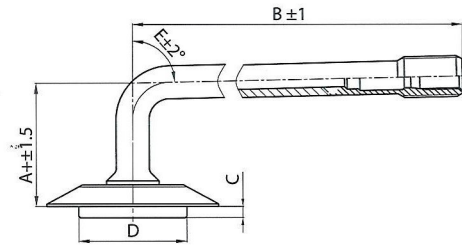
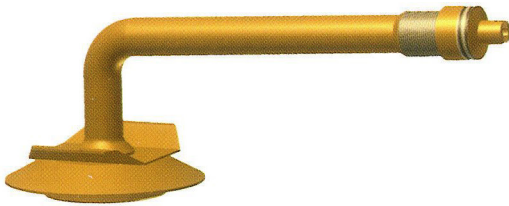
Valve no.	A (mm)	B (mm)
TR300	70	58

TR-300



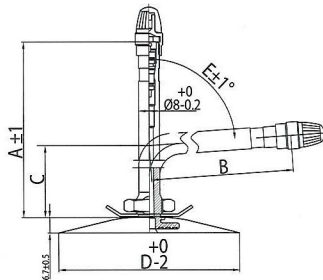
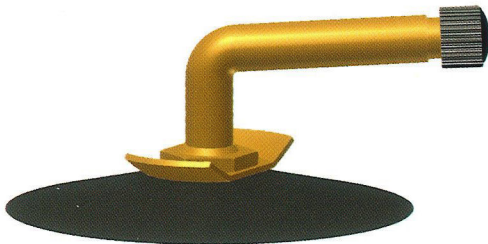
Valve no.	A (mm)	B (mm)	a°
TRJ4000-6	31	139.7	90

TRJ-4000



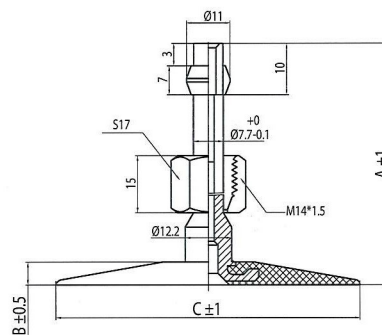
Valve no.	A (mm)	B (mm)	C dia	D dia	E°
TRJ1175C	35	105	4	32	88

TRJ1175C



Valve no.	A (mm)	B (mm)	C (mm)	D dia	E°
TR75A	95	76	24	82	86
TR78A	146	127	24	82	86
TR177A	114	95	24	82	86
TR179A	160	141	24	82	86

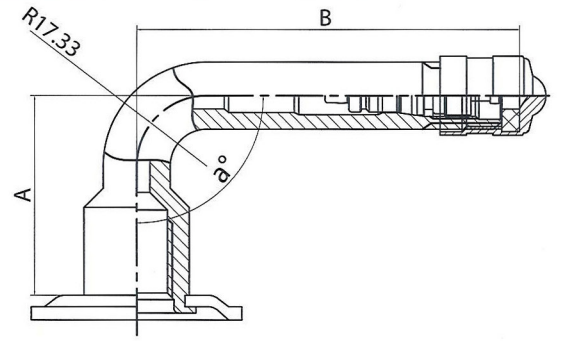
TR75A*



Valve no.	A (mm)	B (mm)	C dia
PK-5A-145	145	6.7	76

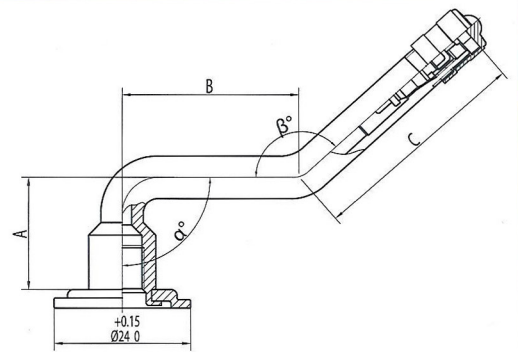
PK-5A-145

V3.02...

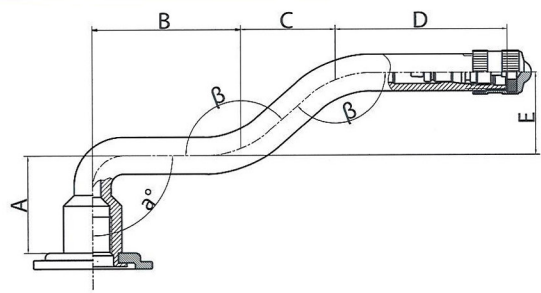


Valve no.	A (mm)	B (mm)	α°
V3.02.1	25.5	41.5	120°
V3.02.2	22.5	43	120°
V3.02.3	33	44.5	95°
V3.02.4	39.5	44.5	110°
V3.02.5	20.5	47.5	90°
V3.02.6	23.5	60.5	110°
V3.02.7	22.5	71.5	100°
V3.02.8	20.5	89.5	94°
V3.02.9	20.5	99.5	94°
V3.02.10	20.5	115	94°
V3.02.11	20	126	98°
V3.02.12	20.5	132	94°
V3.02.13	20.5	133.5	90°
V3.02.14	20.5	138.5	94°
V3.02.15	20.5	145.5	94°
V3.02.16	20.5	149.5	90°
V3.02.17	20.5	156.5	90°
V3.02.18	22.5	74.5	90°
V3.02.19	20.5	60	94°
V3.02.20	22.5	56.5	95°
V3.02.21	20.5	172	90°
V3.02.23	29.5	66.5	90°
V3.02.24	20.5	117	90°
V3.02.26	20.5	105	94°
V3.02.27	20	75	94°
V3.02.29	20	127	94°

V3.04...

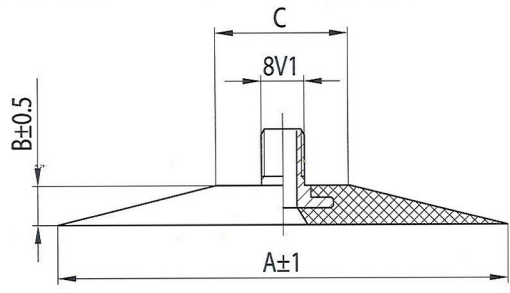
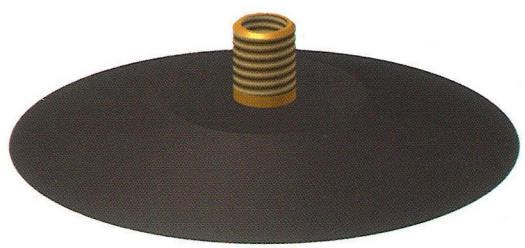


Valve no.	A (mm)	B (mm)	C (mm)	α°	β°
V3.04.1	20.5	32	37	90°	138°
V3.04.2	20.5	38	41.5	90°	153°
V3.04.3	20	59	38.5	94°	163°
V3.04.4	20	74	40	94°	144°
V3.04.5	20	76	47.5	90°	153°
V3.04.6	20	86	47.5	90°	153°
V3.04.7	20.5	30.5	38	90°	154°
V3.04.8	20.5	36.5	43	90°	167°
V3.04.10	20.5	47	53	90°	154°
V3.04.11	20.5	47	63.5	90°	154°
V3.04.12	20.5	60.5	60.5	90°	159°
V3.04.14	20.5	83.5	65	90°	159°
V3.04.15	20.5	42	38.5	90°	120°
V3.04.17	20	65	45	90°	160°
V3.04.18	20	72	45	90°	160°
V3.04.20	20	68	47	94°	164°
V3.04.21	20	83	57	94°	154°
V3.04.22	20	28	47	94°	164°
V3.04.23	20	48	47	94°	164°
V3.04.24	20	58	47	94°	164°
V3.04.25	20	80	47	94°	164°
V3.04.26	20	99	42	99°	189°



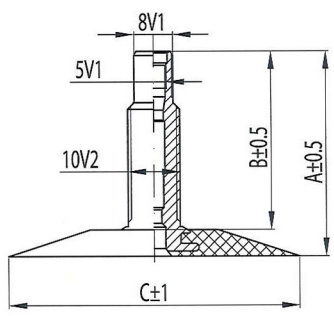
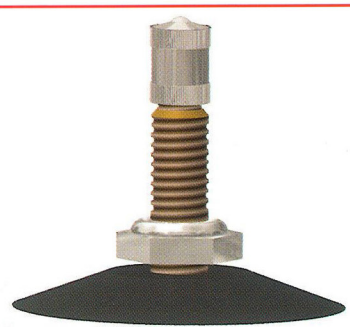
V3.06...

Valve no.	A (mm)	B (mm)	C (mm)	D (mm)	E (mm)	α°	β°
V3.06.1	20.5	30.5	19.5	35.5	17	90°	139°
V3.06.2	20.5	44.5	12	37.5	17	90°	125°
V3.06.3	20.5	46	20.5	47.5	17	90°	139°
V3.06.4	32.5	46.5	20.5	46.5	17	95°	140°
V3.06.5	20.5	62.5	19.5	49	17	90°	139°
V3.06.6	20	79.5	19.5	37.5	17	90°	139°
V3.06.7	20.5	45.5	18.5	42.5	17	90°	137°
V3.06.8	24.5	61.5	14.5	50.5	7.5	94°	153°
V3.06.9	20.5	67.5	19.5	54.5	17	90°	139°
V3.06.12	23.5	71.5	19.5	25.5	11.5	90°	150°
V3.06.13	20	40	13	40	7	94°	153°
V3.06.14	20	50	13	40	7	94°	153°
V3.06.15	20	60	13	40	7	94°	153°
V3.06.16	20	62	13	50	7	94°	153°
V3.06.17	20	75	13	50	7	94°	153°
V3.06.18	20	82	30	35	10	94°	153°



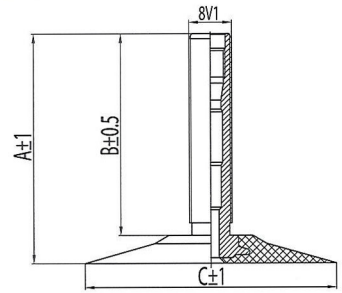
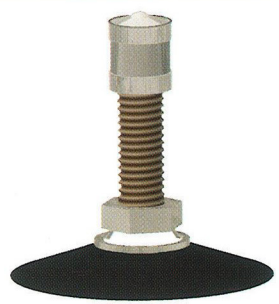
V3.08...

Valve no.	A (mm)	B (mm)	C dia
V3.08.1	65	7	26
V3.08.2	70	7	26
V3.08.3	80	8	26
V3.08.4	57	5	26



**SP-5
(TR-11)
(V521)**

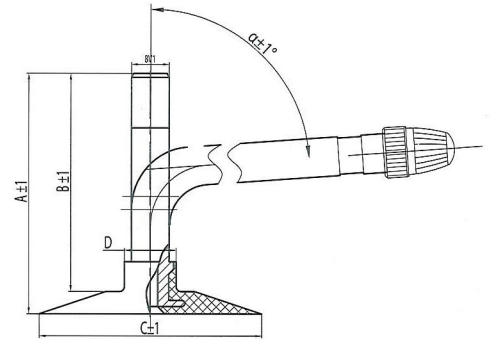
Valve no.	A (mm)	B (mm)	C dia
SP-5	40	34,8	57



**GP-4
(TR-4)
(V1.09.1)**

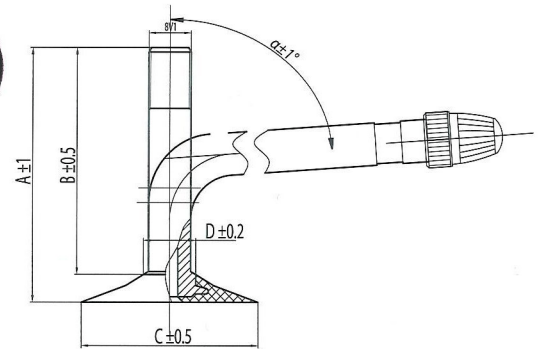
Valve no.	A (mm)	B (mm)	C dia
GP-4	34,5	29,5	45

TR87



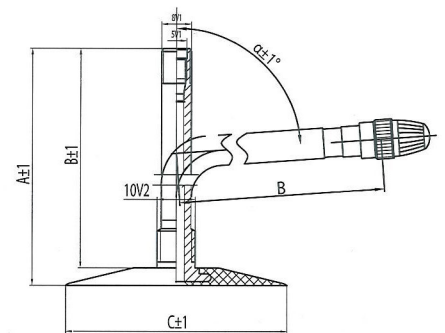
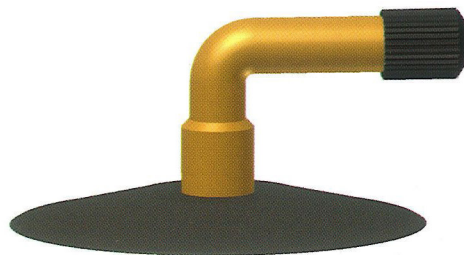
Valve no.	A (mm)	B (mm)	C dia	D dia	α°
TR87	48	43,5	45	10,5	90

TR87A



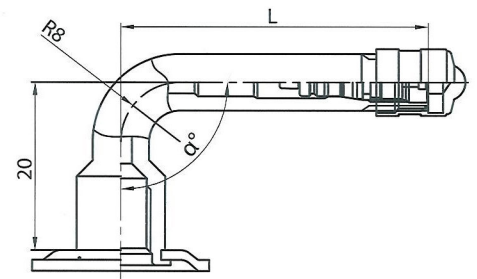
Valve no.	A (mm)	B (mm)	C dia	D dia	α°
TR87A	46	41	32	9,5	90

JS2



Valve no.	A (mm)	B (mm)	C dia	α°
JS2	61	56.5	57	90

GW 4B
50x60°



Valve no.	L	α°
GW 4B 50x60°	60	50°

If required by the customer, inner tubes can be appointed to any valve offered by our company.

The above shown 3D valve models are only examples and real valves can slightly differ from these. However all valves are manufactured according to the above shown technical specification.